

Specifications

Thermal Camera Sensor Type Thermal Resolution Spectral Response Drift Compensation Thermal Accuracy Measurement Range Sensitivity Horizontal Field of View Screening Distance	Amorphous Silicon (α-Si) microbolometer 384 X 288 7-14μm Real time continuous calibration (ext. TRS) ±0.18°F 86°F to 113°F ≤50mK nominal 24.6° 12- 21ft (4-7m)
Color Camera Sensor Type Day Resolution Horizontal Field of View	CMOS 1/3" Sensor 2688 x 1520 (4MP) Digitally synchronized to thermal image
General Frame Rate Contrast Brightness Isotherm Colour Display Temperature Trigger Febrile Tracking Zoning Masking Alarm Storage Recording Output USB Connector Input Voltage Operating Temperature Storage Temperature Installation Options	Up to 50FPS Automatic Automatic Pseudocolour specifically for temperature screening User defined temperature trigger threshold Yes (Synchronized dual sensor tracking) Yes Yes Audio visual with intelligent elevated temperature tracking Micro SD Card (Up to 256 GB) or/and NVR 1080p USB 3.0 x 1, USB 2.0 x 2 110 – 230V AC 60°F to 91°F -40°F to 185°F Wall Mounted, Ceiling Mounted or Mobile Pedestal
Part No.	SM4-OMS-384

Disclaimer: The Sentry MK4 is not marketed or intended to be used as a medical device. This human temperature detection device does not determine a person's core body temperature. Actual core body temperature can only be determined using an approved clinical measurement device. Specifically in the United States, the FDA recommends that infrared screening equipment such as the Sentry MK4 should only be used to measure one subject's temperature at a time. Visible thermal patterns are only intended for locating the points from which to extract the thermal measurement. This device is not FDA-cleared or approved to be used as a clinical or medical device.

Caution: Measurements using the Sentry MK4 should not be solely or primarily relied upon to diagnose or exclude a diagnosis of COVID-19, or any other disease. Elevated body temperature in the context of use should be confirmed with secondary evaluation methods. For reliable determination of core body temperature, Omnisense Systems recommends clinical grade contact thermometer. Public health officials, through their experience with the device in the particular environment of use, should determine the significance of any fever or elevated temperature based on the measurement by the Sentry MK4.

For proper and effective use of Sentry Mk4, contact us.



United States
 1881 West State Road 84, Bldg. 1 Unit 102
 Fort Lauderdale, Florida 33315, USA
 T: +1 (954) 316-6230
 E: enquiries@omnisense-systems.com
omnisense-systems.com



Sentry MK4

The latest in rapid human temperature screening

The Sentry MK4 is the 4th generation of our Sentry family of Rapid Human Temperature Screening Systems. Globally deployed in commercial buildings, industrial plants, airport, hospitals, banks, and other critical facilities, the Sentry MK4 contributes an additional security solution for any modern organization seeking to safeguard human assets and sustain business operations.



Multi Touchscreen and Smart Devices Capability

Drawing on the proven performance of Sentry MK3, a system employed by countless organizations for public health and safety around the world, the Sentry MK4 is a culmination of almost two decades of experience developing extraordinary human temperature screening solutions. When deployed correctly with other mitigating measures (e.g., proper secondary temperature confirmation with a clinical grade thermometer), our rapid human temperature screening system can provide a robust yet streamlined temperature screening management program.

- ▶ Sophisticated detection algorithm accurately identifies subjects with elevated skin temperatures
- ▶ Audible alert upon detection
- ▶ Auto tracking to simplify subject identification

Key Features

Multi Touch Screen

Intuitive UI with the use of any multi-touch screen.

Video Recording Option

With this feature, administrators can use the recorded videos with various video analytics software for post analysis. *(use with third party analytics solution)*

Minuscule & Exquisite

Possibly one of the smallest form factor in the world but not compromising on performance. The exquisite styling forms the meticulous design that accentuates beautiful contours and fine detailing for distinctive and sophistication.



Multi Devices Control

Connects multiple smart devices via Wi-Fi, allowing operators to move around freely, instead of standing behind the monitor.

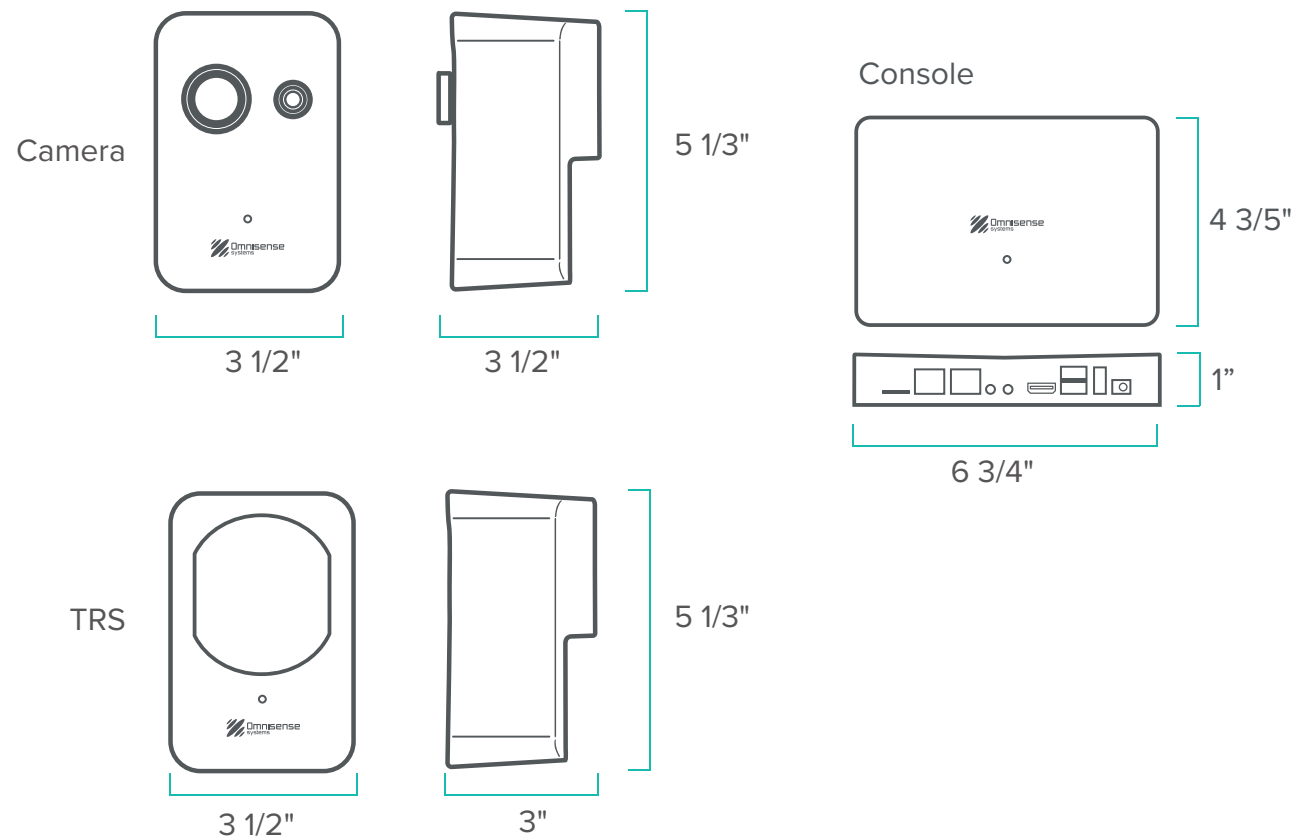
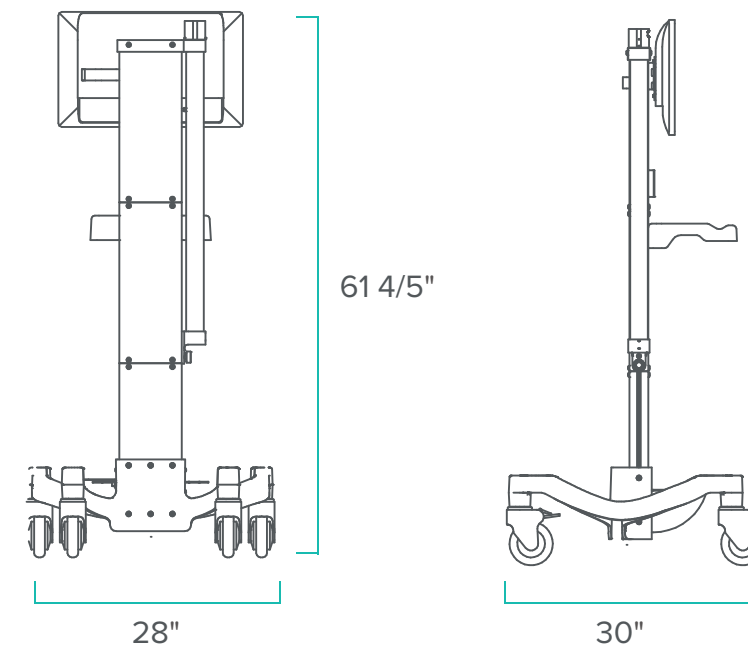
Effortless Setup

Colour coded labels, respective to the connector to simplify connections. Sentry MK4 can be fixed installed on either walls or ceiling. For mobile setup, the system can be installed on any camera tripod or optional mobile pedestal.

Setup

Mobile Pedestal Setup

Mobile pedestal for screening area that requires quick deployment is also available.



Notes:

1. Due to our continual improvement, specifications may change without prior notice.
2. System must not be used in replacement of human observation.
3. To maintain system performance and accuracy, Omnisense Systems recommends system be factory calibrated once every 12 months.
4. To achieve system performance and accuracy, kindly observe all operational limitations listed above and in user manual.
5. The Sentry Mk4 cannot be deployed without the supplied and approved Blackbody reference source.

